

VPort 26A-1MP Series

IP66, day-and-night vandal-proof fixed dome HD IP camera for outdoors



- > -40 to 50°C or -40 to 75°C (T model) operating temperature, without heater or fan
- > 1/2.7" progressive scan CMOS camera with maximum 1280 x 800 resolution
- > High quality video image with WDR and DNR
- > Up to 3 video streams with H.264 and MJPEG
- > 3 to 9 mm day-and-night vari-focal lens with a built-in ICR (removeable IR-cut filter ICR)
- > DynaStream™ supported for optimized network efficiency
- > CBR Pro™ supported for high image quality in limited bandwidth transmissions
- > ONVIF conformity for standardization and interoperability



Introduction

The VPort 26A-1MP is a vandal-proof, IP66-rated, fixed dome HD IP camera for harsh, outdoor environments. With a maximum resolution of 1280 x 800, H.264/MJPEG triple video streams and day-and-night camera lens, the VPort 26A-1MP is especially well-suited for outdoor video surveillance applications.

To provide excellent video quality, the VPort 26A-1MP is equipped with a megapixel 3 to 9 mm vari-focal lens that meets versatile viewing angle and distance requirements. With a built-in removable IR-cut filter, and automatic switching from color to B/W images, the VPort 26A-1MP series is suitable for day-and-night use. Along with built-in DNR (Digital Noise Reduction) and WDR (Wide Dynamic Range), the VPort 26A-1MP series provides excellent image quality under low illumination or back light conditions.

The VPort 26A-1MP's rugged hardware design has the following features: IP66 rain and dust protection, high EMI/surge protection, -40 to 50°C or -40 to 75°C operating temperature without a fan or heater, metal housing, and EN 62262 IK10 vandal-proof dome cover. The camera is housed in a dehumidified membrane for diffusing the moisture inside the camera. Choose either the VPort P26A-1MP with PoE (Power over Ethernet, 802.3af) functionality, or the VPort 26A-1MP with a 12/24 VDC or 24 VAC direct-wired power input.

The VPort 26A-1MP cameras are designed with high video performance and network security to provide both H.264 and MJPEG video streams and transmit up to 3 independent video streams (2 in H.264, and 1 in MJPEG) simultaneously. The camera can encode and transmit up to 30 FPS for each of the H.264 and MJPEG streams. In addition, Moxa's DynaStream™ function changes the video frame rate automatically to help you control your network bandwidth budget and ease network system management. CBR Pro™ guarantees no packet loss in limited bandwidth transmissions, ensuring that images will not exhibit the mosaic effect, and advanced network security functions, such as 802.1x and SSH, are provided to prevent unauthorized access or data hijacking, which is critical for most surveillance applications.

Specifications

Camera

Sensor: 1/2.7" HD progressive scan CMOS

Lens: Focal length = 3 to 9 mm, F = 1.2

Auto Iris Type: DC drive

Camera Angle (controlled manually):

- Pan: ±175°, Tilt: 0 to 85°
- Rotation: PAN: ±180°

Minimum Illumination:

- Color: 0.2 lux at F1.2
- B/W: 0.05 lux at F1.2

Synchronization: Internal

White Balance: ATW/AWB (range: 3200 to 10000°K)

Electronic Shutter: Auto, 1/30 to 1/25,000 sec.

Dynamic Range:

- Color: 100 db
- B/W: 110 db

S/N Ratio: 50 dB (Gamma, Aperture, AGC OFF, DNR ON)

ICR Control: Auto

DNR: Built-in DNR (digital noise reduction)

WDR: Level 1-8/ off

AGC Control: 2X, 4X, 8X, 16X, 32X, 64X

Flickerless Control: Indoor/Outdoor modes

Black Level Control: High, Medium, Low

Auto Exposure: Level ±5

Image Rotation: Flip, Mirror, and 180° rotation

Image Setting: Manual tuning with saturation, sharpness, and contrast

Video

Video Compression: H.264 (ISO/IEC 14496-10) or MJPEG

Video Output: Via Ethernet

Video Streams: 3 video streams (2 x H.264, 1 x MJPEG)

Video Resolution and FPS (frames per second):

	NTSC		PAL	
	Size	Max. FPS	Size	Max. FPS
QCIF	176 x 112	30	176 x 144	25
QVGA	320 x 240	30	320 x 240	25
CIF	352 x 240	30	352 x 288	25
VGA	640 x 480	30	640 x 480	25
4CIF	704 x 480	30	704 x 576	25
Full D1	720 x 480	30	720 x 576	25
SVGA	800 x 600	30	800 x 600	25
HD	1280 x 720	30	1280 x 720	25

Note: Multiple streams may not support up to 30 FPS.

Video Viewing:

- DynaStream™ supported for changing the video frame rate automatically
- CBR Pro™ for good image quality in limited bandwidth transmission
- 3 privacy mask areas provided
- Adjustable image size and quality
- Timestamp and text overlay
- Maximum of 5 simultaneous unicast connections
- ROI (Region of Interest) configuration for up to 3 areas

PTZ: Digital PTZ with 4X zoom

Audio

Audio Inputs: 1 line-in with 2-pin terminal block connector

Audio Outputs: 1 line-out with 2-pin terminal block connector

Network

Protocols: TCP, UDP, HTTP, SMTP, FTP, Telnet, NTP, DNS, DHCP, UPnP, RTP, RTSP, ICMP, IGMPv3, QoS, SNMPv1/v2c/v3, DDNS, Modbus/TCP, 802.1X, SSH/HTTPS

Ethernet: 1 10/100BaseT(X) Ethernet port, RJ45 connector

GPIO

Digital Inputs: 1, max. 8 mA

- High: +13 V to +30 V
- Low: -30 V to +3 V

Relay Outputs: 1, max. 24 VDC @ 1 A

LED Indicators

STAT: Indicates if the system is booted properly or not

Network: 10 Mbps or 100 Mbps

Power: Power on/off

DIP Switch: To turn the LED light on/off

Local Storage

SD Socket: Standard SD socket (SDHC)

Power Requirements

Power Input:

- VPort 26A-1MP: 1, 12/24 VDC or 24 VAC
- VPort P26A-1MP: Power-over-Ethernet (PoE, IEEE 802.3af)

Power Consumption:

- VPort 26A-1MP: 4.7 W
- VPort P26A-1MP: 5.8 W

Physical Characteristics

Housing: Metal, IP66 rated for rain and dust protection, vandal-proof

Dimensions: 149 mm (diameter) x 120 mm (height)

Installation: Surface mounting, or outdoor mounting with accessories

Alarms

Intelligent Video: Tamper alarm

Video Motion Detection: Includes sensitivity settings

Scheduling: Daily repeat timing schedule

Imaging: JPEG snapshots for pre/trigger/post alarm images

Custom Alarms: HTTP event servers and CGI events for setting customized alarm actions

Email/FTP Messaging: Automatic transfer of stored images via email or FTP as event-triggered actions

Pre-alarm Buffer: 24 MB video buffer for JPEG snapshot images

Security

Password: User level password protection

Filtering: By IP address

Authentication: 802.1X

Encryption: HTTPS, SSH

Environmental Limits

Operating Temperature:

Standard models: -40 to 50°C (-40 to 122°F)

Wide temp. models: -40 to 75°C (-40 to 167°F)

Storage Temperature: -40 to 85°C (-40 to 185°F)

Ambient Relative Humidity: 5 to 95% (non-condensing)

Altitude: Up to 2000 m

Note: Please contact Moxa if you require products guaranteed to function properly at higher altitudes.

Standards and Certifications

Safety: UL 60950-1

Railway:

EN50121-4: 2006 (VPort 26A-1MP series)

EMI: FCC Part 15, CISPR (EN 55022) class A

EMS:

EN 61000-4-2 (ESD), Level 3,

EN 61000-4-3 (RS), Level 3,

EN 61000-4-4 (EFT), Level 3,

EN 61000-4-5 (Surge), Level 3,

EN 61000-4-6 (CS), Level 3,

EN 61000-4-8

Shock: IEC 60068-2-27

Freefall: IEC 60068-2-32

Vibration: IEC 60068-2-6

Vandal Resistance: EN 62262, IK10 level

MTBF (mean time between failures)

Time: 201,721 hrs

Database: Telcordia (Bellcore), 25°C

Warranty

Warranty Period: 5 years

Details: See www.moxa.com/warranty

Minimum Viewing System Requirements

CPU: Pentium 4, 2.4 GHz

Memory: 512 MB of memory

OS: Windows XP/2000 with SP4 or above, Windows Vista, Windows 7

Browser: Internet Explorer 9.x or above

Multimedia: DirectX 9.0c or above

Note: These preliminary specifications are subject to change without notice.

Please check our website or sales representative for the most up-to-date specifications.

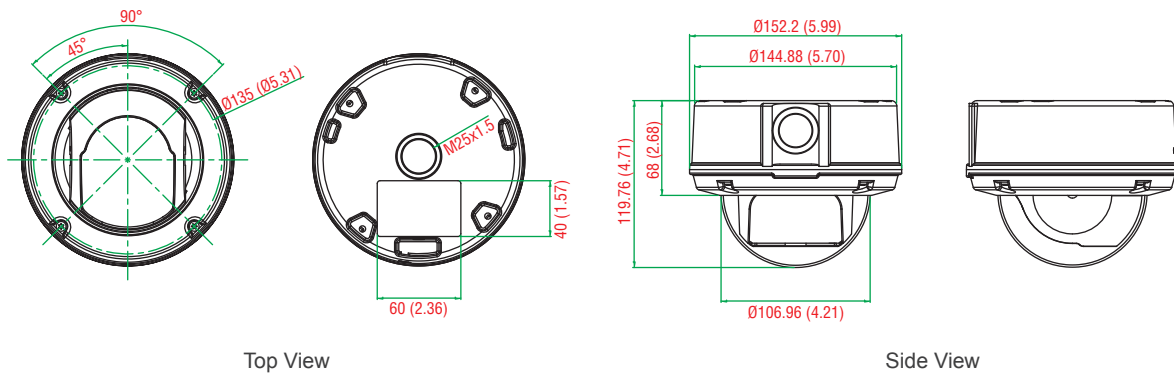
Software Bundled Free

VPort SDK PLUS: Includes CGI commands, ActiveX Control, and API library for customized applications or system integration for third-party developers (the latest version of SDK is available for download from Moxa's website).

Standard: ONVIF Profiles

Dimensions

Unit: mm (inch)



Ordering Information

Standard Temp. Models (RJ45: -40 to 50°C; M12: -25 to 55°C)	Wide Temp. Models (-40 to 75°C)	12/24 VDC, 24 VAC Power supply	PoE (802.3af) Power supply
VPort 26A-1MP	VPort 26A-1MP-T	✓	-
VPort P26A-1MP	VPort P26A-1MP-T	-	✓

Package Checklist

- VPort 26A-1MP or VPort P26A-1MP IP camera
- Mounting sticker
- 4 self-tapping screws and anchors
- IP66 cable glands
- L-type Torx screw driver
- Quick installation guide (printed)
- Documentation and software CD
- Warranty card

Wall Mount

VPort 26A + VP-MK2 + VP-520L



Pendant Mount

VPort 26A + VP-MK2 + VP-520HB



Pole Mount

VP-CPM

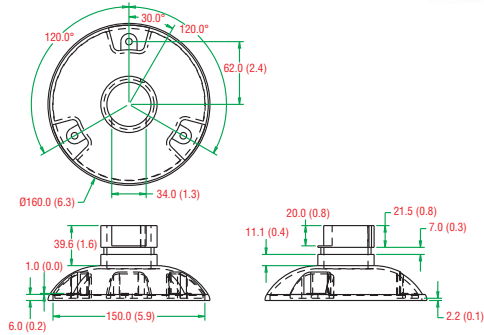


Mounting Kit

For mounting the VPort 26A to a straight tube and pendant.

VP-MK2

Height: 69 mm (2.7 in)
Diameter: 160 mm (6.3 in)
Weight: 470 g

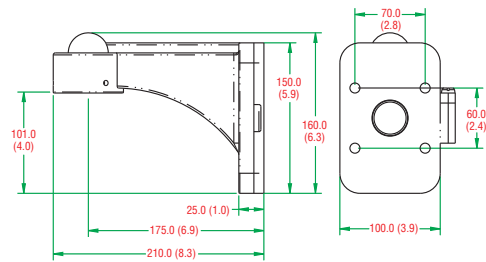


Wall Mounting Kit

For mounting the VPort 26A on the wall.

VP-520L

Height: 160 mm (6.3 in)
Width: 100 mm (3.9 in)
Depth: 210 mm (8.3 in)
Weight: 840 g

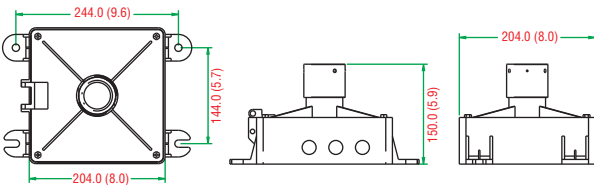


Pendant Mounting Kit

For mounting the VPort 26A on the ceiling.

VP-520HB

Height: 150 mm (5.9 in)
Width: 204 mm (8 in)
Depth: 244 mm (9.6 in)
Weight: 2.7 kg
Straight tube: 300 mm (11.8 in)



Pole/Corner Mounting Kit

For mounting the VPort 26A on a pole or corner with the VP-520L.

VP-CPM

Height: 126 mm (5 in)
Width: 156.6 mm (6. in)
Depth: 86.8 mm (6.2 in)
Weight: 440 g
Stainless Strap: 2

